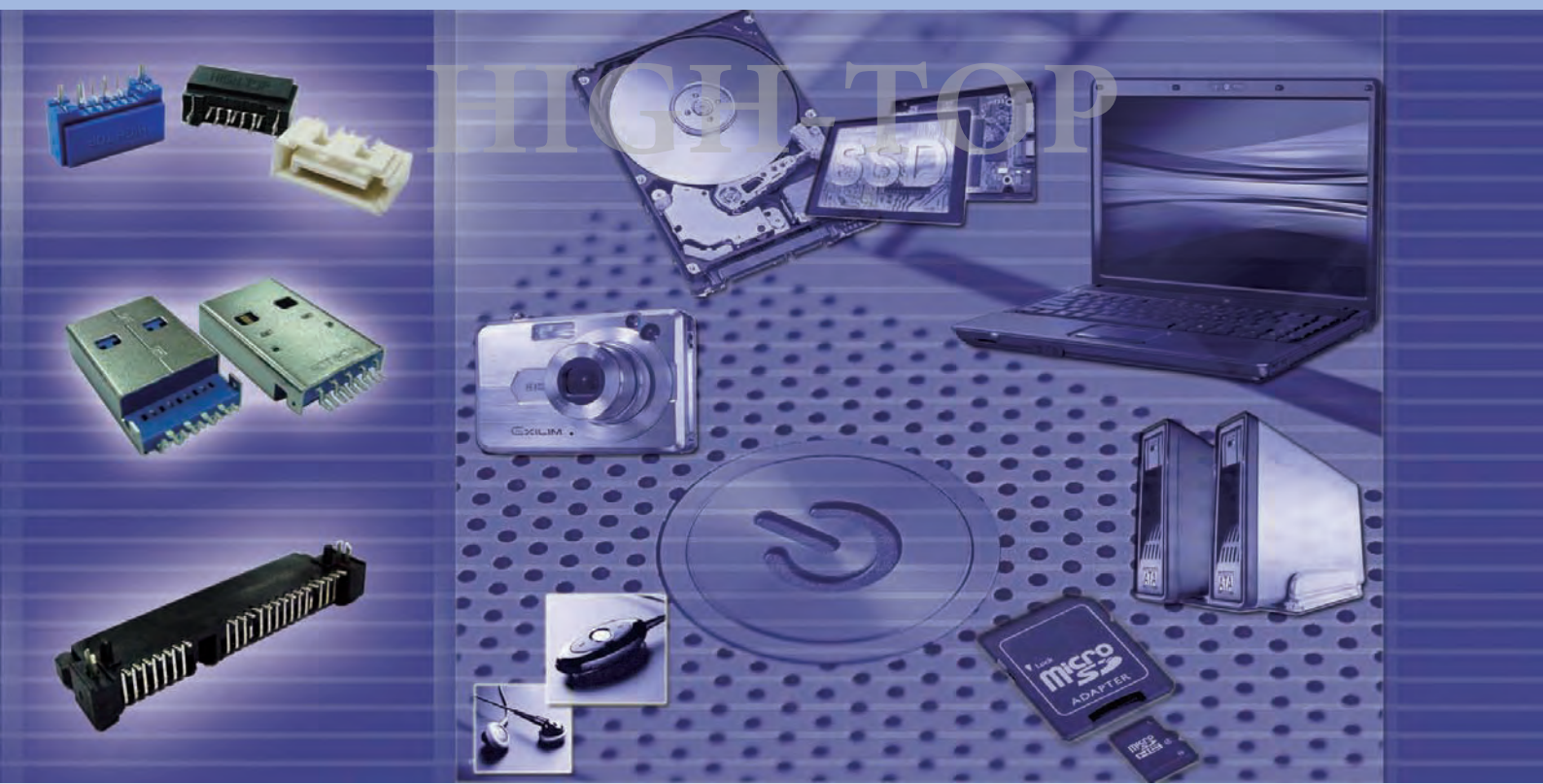
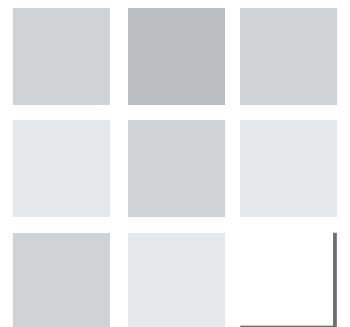


# HIGH-TOP

煜頂精密股份有限公司



HIGH-TOP



Connecting the Ideas

Your best interconnection solution partner

# HIGH-TOP

## *A Passion for Success*

**P**ROFIT

**A**MBITION

**S**INCERITY

**S**TRENGTH

**I**NNOVATION

**O**PTIMISM

**N**EVER GIVE UP

共創利潤

強盛企圖

熱心真誠

不斷茁壯

創新求變

樂觀進取

承先啟後

共享雙贏

卓越追求

展現服務

完美表現

開創新機

接續未來

永不放棄

# HIGH-TOP

The logo consists of a stylized blue and white arrow pointing upwards, followed by the text "HIGH-TOP" in a bold, blue, sans-serif font.

**HIGH-TOP**

# HDMI Series

## Material

housing: high temperature thermoplastic UL94V-0  
 terminal: copper alloy  
 plating: gold over nickel on contact area ,tin plating on terminal  
 boardlock: copper alloy

## Electrical

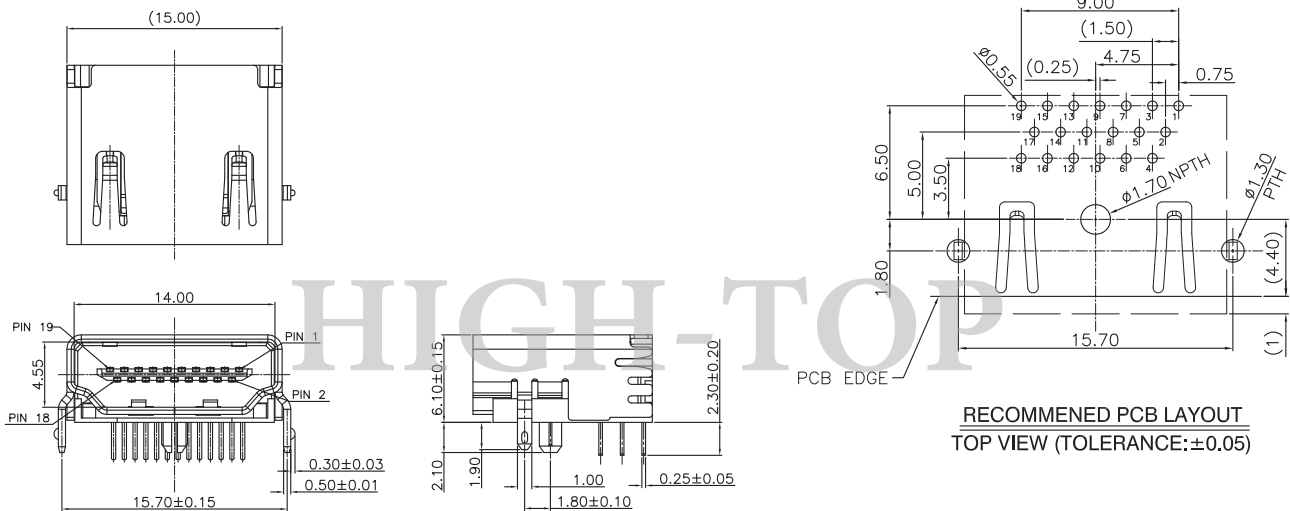
contact rating: 1.5A per contact  
 contact resistance: 30mΩ Max  
 insulation resistance: 1000MΩ min  
 dielectric withstanding voltage : 500 VAC

## Environmental

operating temperature: -20°C~+85°C  
 humidity: 96 hours at 40°C with 90% to 95% RH

HDMI CONN.,19P/F DIP 90°, WITH PEG AU 15μ”

P/N: HD12DS19E03



## ORDERING INFORMATION:

HD 12 DS 19 E 0 3

PRODUCT NAME: HD:HDMI CONECTOR

PRODUCT REVISION: 12:HDMI TYPE

TYPE: D:DIP

STYLE: S:SOCKET

MODE: 0:WITH FLANGE (RIGHT ANGLE THROUGH HOLE TYPE)

PLATING: E: 15u"Au.

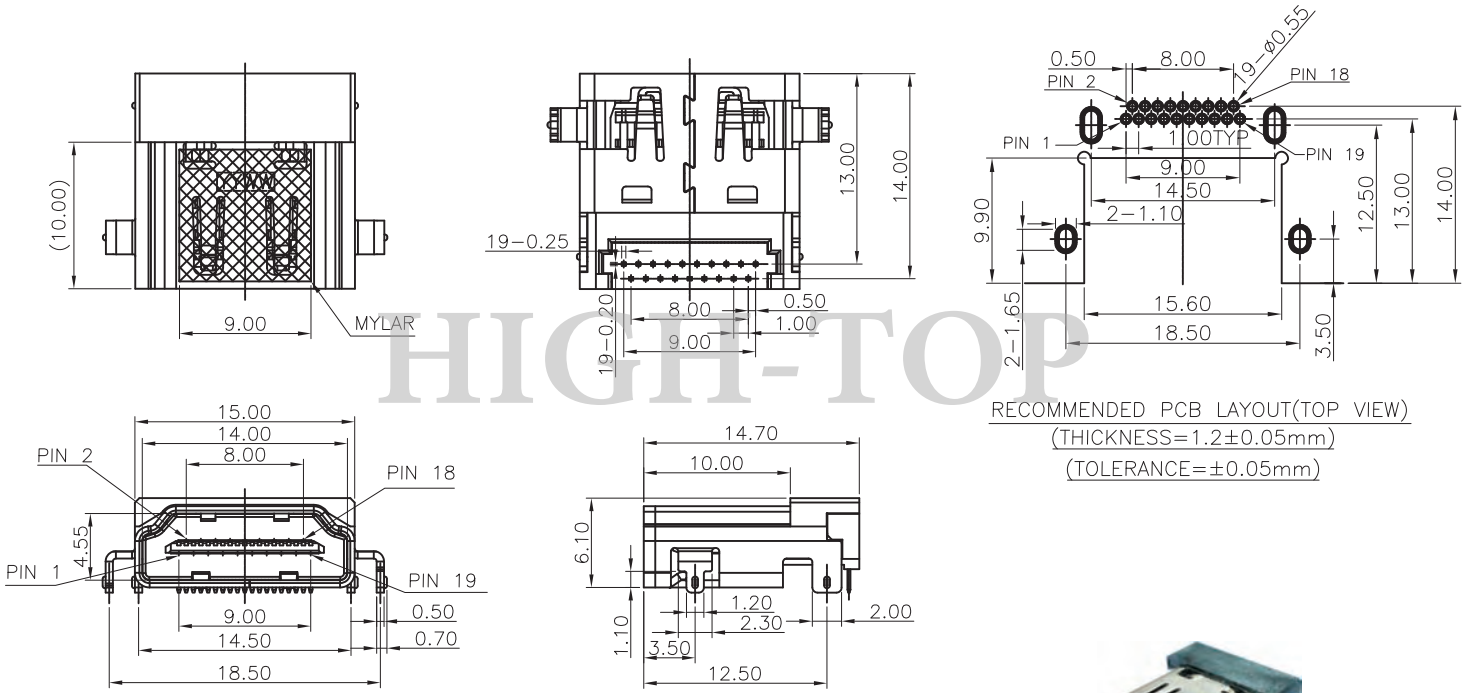
CIRCUITS: 19:19P CIPCUITS



# HDMI Series

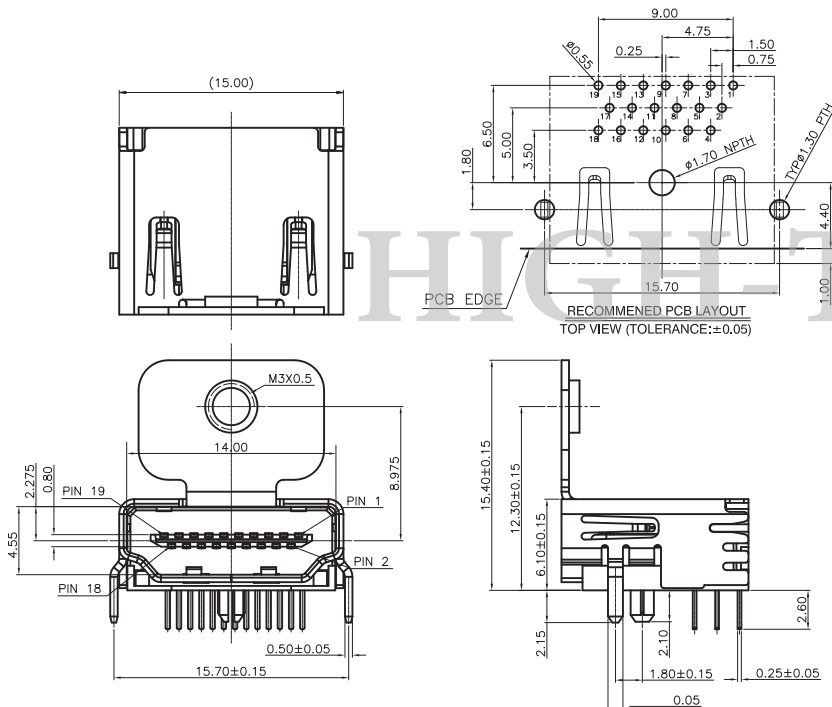
## HDMI FEMALE REVERSE DIP TYPE (HDMI-BDC)

P/N: HD12DS19E07



## HDMI CONN., 19P/F DIP 90°, W/FLANGE, PEG

P/N: HD12DS19E22



### ORDERING INFORMATION:

HD 12 D S 19 E 2 2

PRODUCT NAME: HD:HDMI CONECTOR

PRODUCT REVISION: 12:HDMI TYPE

TYPE: D:DIP

STYLE: S:SOCKET

PACKING: 2:TRAY

MODLE: 2:WITH FLANGE (RIGHT ANGLE THROUGH HOLE TYPE)

PLATING: E: 15u" Au.

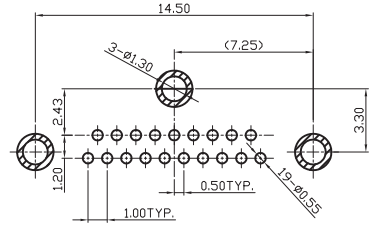
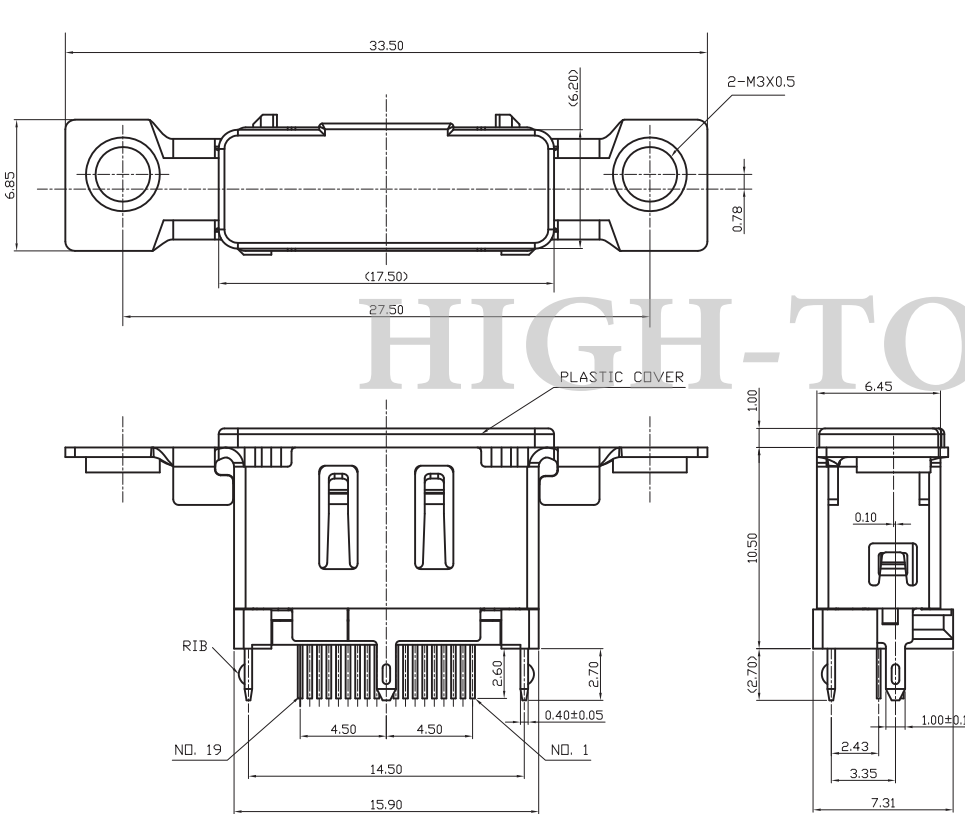
CIRCUITS: 19:19P CIRCUITS



# HDMI Series

## HDMI CONN., 19/F DIP 180° (W/SIDE FLANGE)

P/N: HD12DS19E32

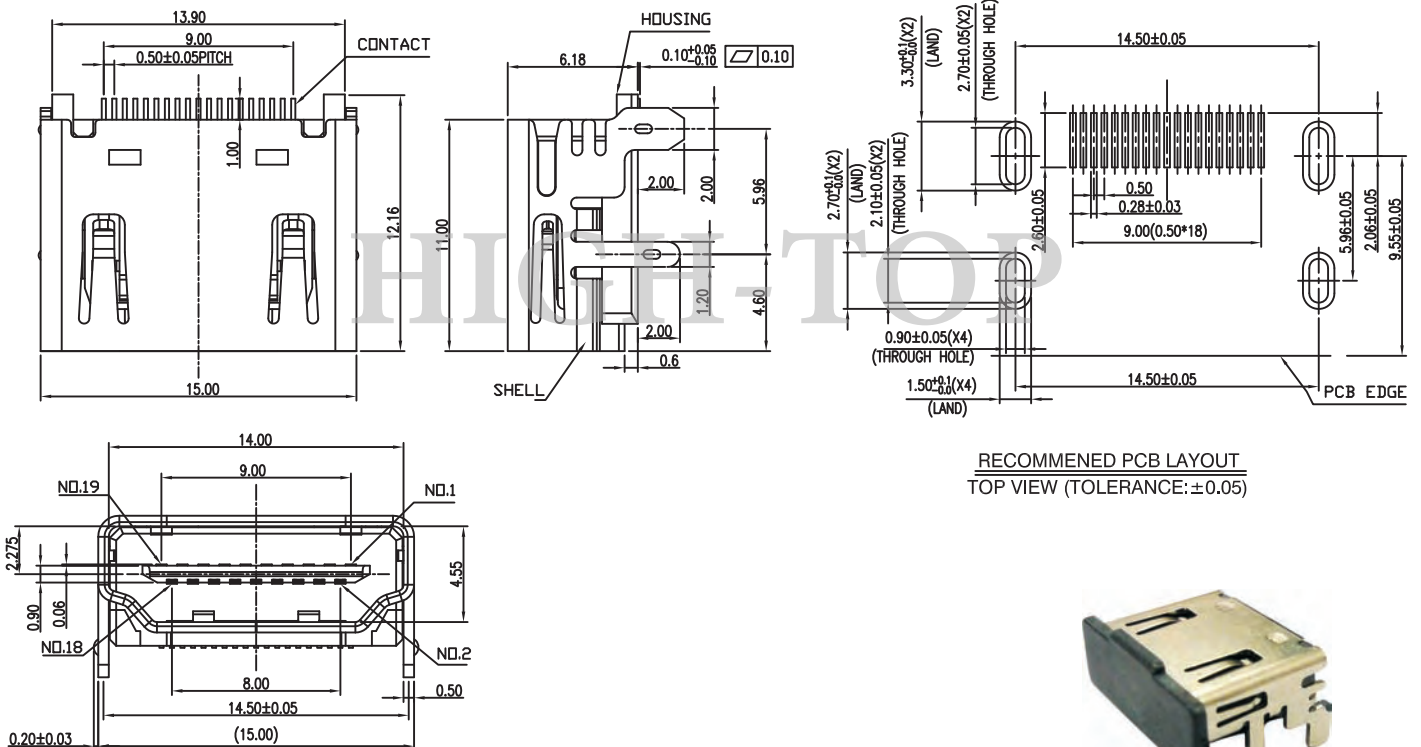


RECOMMENDED PCB LAYOUT  
(TOP VIEW) TOLERANCE: ±0.05



## HDMI CONN., 19P/F SMT 90°, W/O FLANGE

P/N: HD12SS19EA1



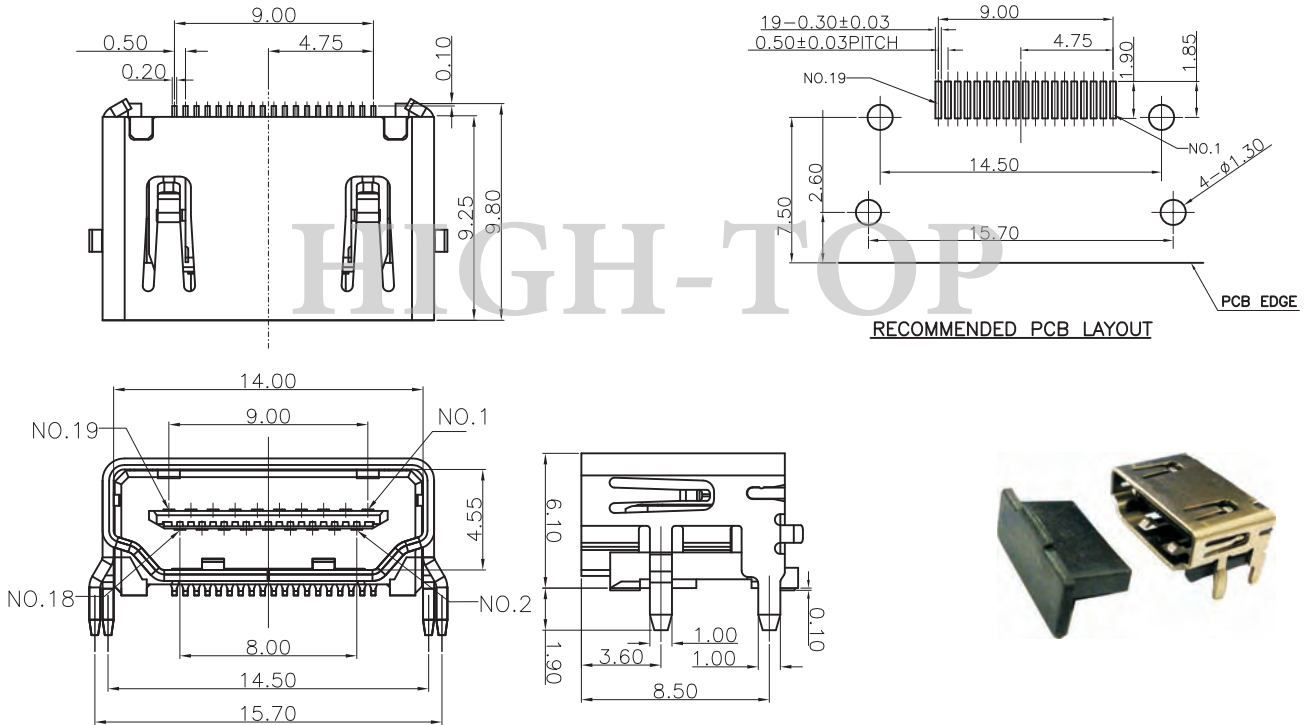
RECOMMENDED PCB LAYOUT  
TOP VIEW (TOLERANCE: ±0.05)



# HDMI Series

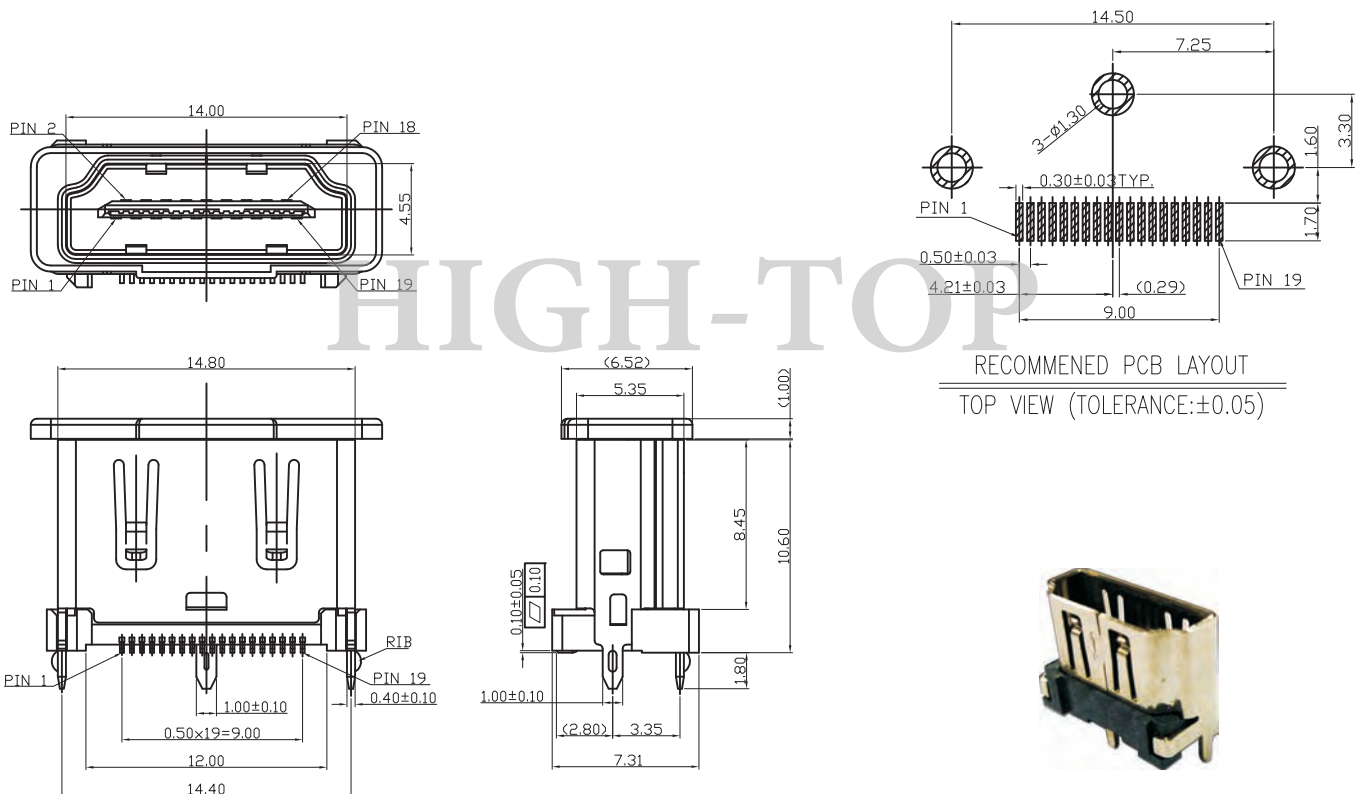
HDMI CONN., 19/F SMT, SLIM TYPE (W/O FLANGE)

P/N: HD12SS19EA6



HDMI CONN., 19P/F VERTICAL SMT TYPE, W/O SIDE FLANGE, W/DUST COVER

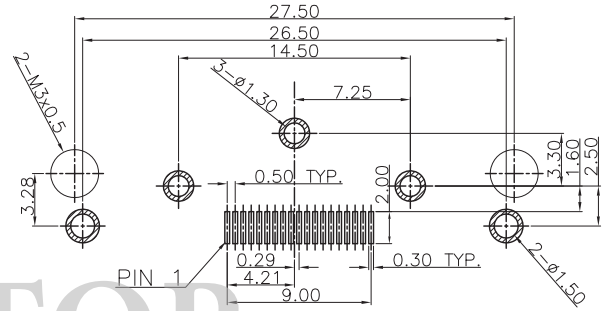
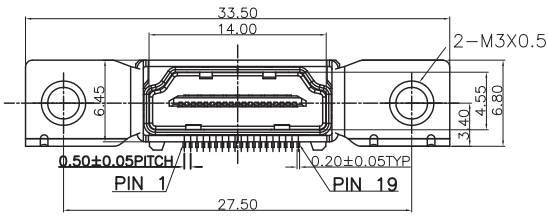
P/N: HD12SS19EB5



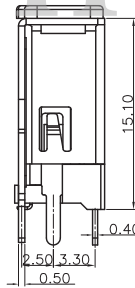
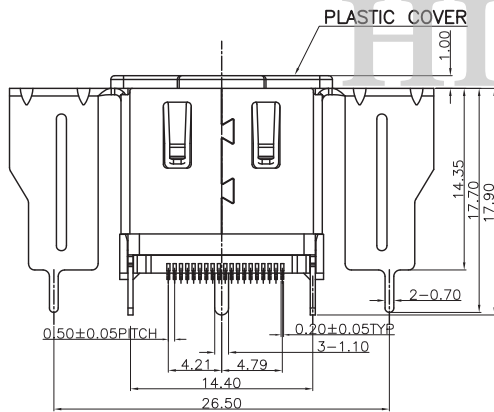
# HDMI Series

HDMI CONN., 19/F SMT TYPE 180° (W/SIDE FLANGE)

P/N: HD12SS19EC3

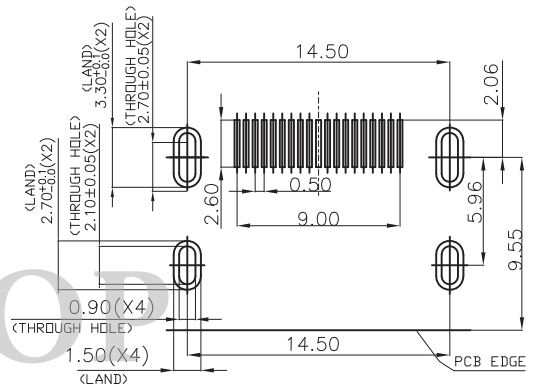
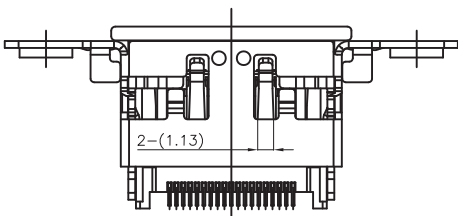
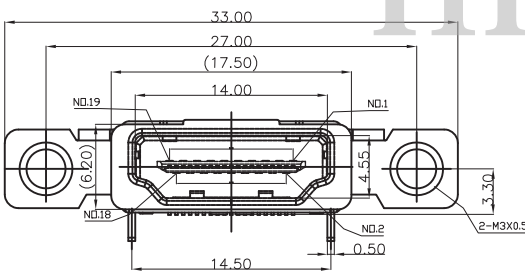
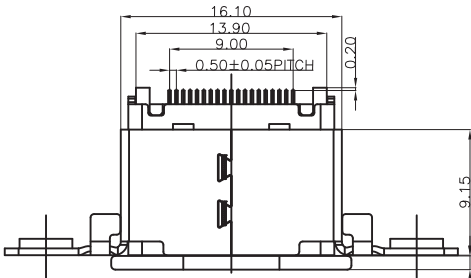


RECOMMENDED PCB LAYOUT THICKNESS = 1.6 mm  
TOLERANCE = ±0.05

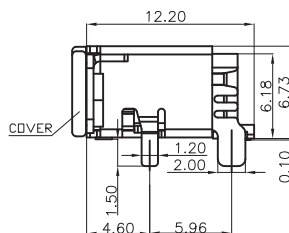


HDMI CONN., 19P/F SMT TYPE, W/SIDE FLANGE

P/N: HD12SS19EC6



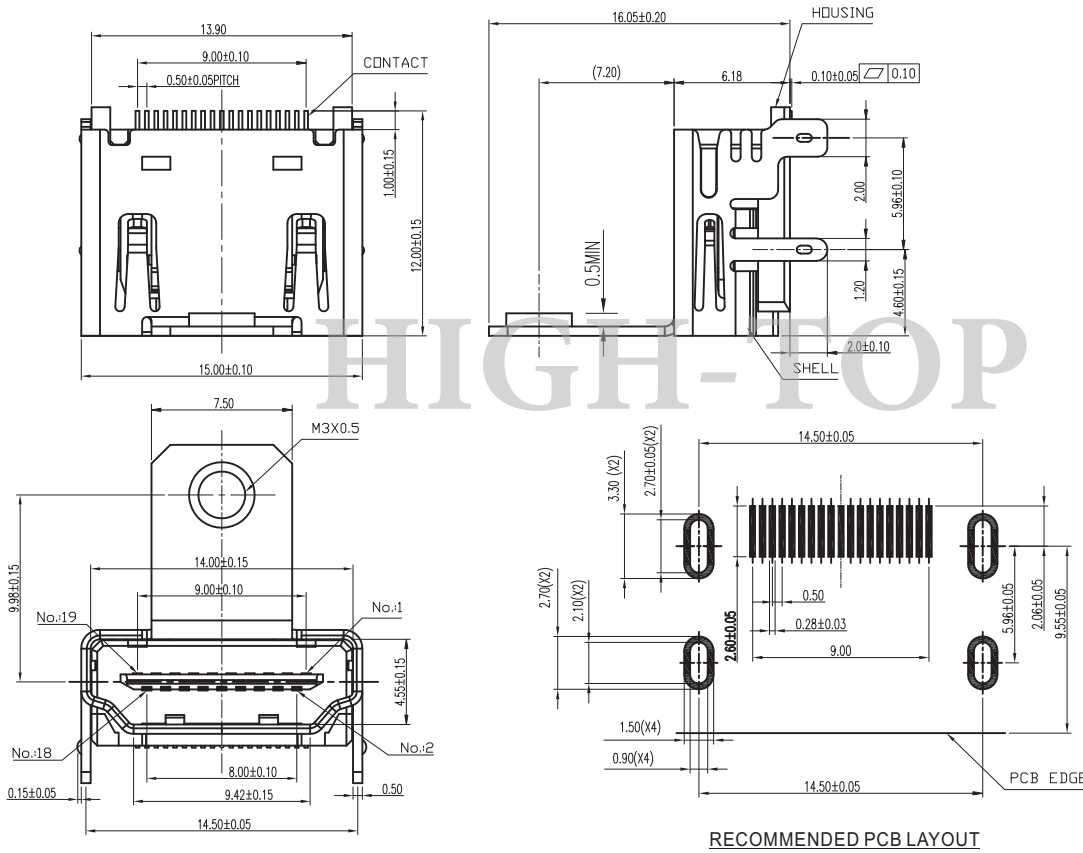
RECOMMENDED PCB LAYOUT  
TOP VIEW (TOLERANCE: ±0.05)



# HDMI Series

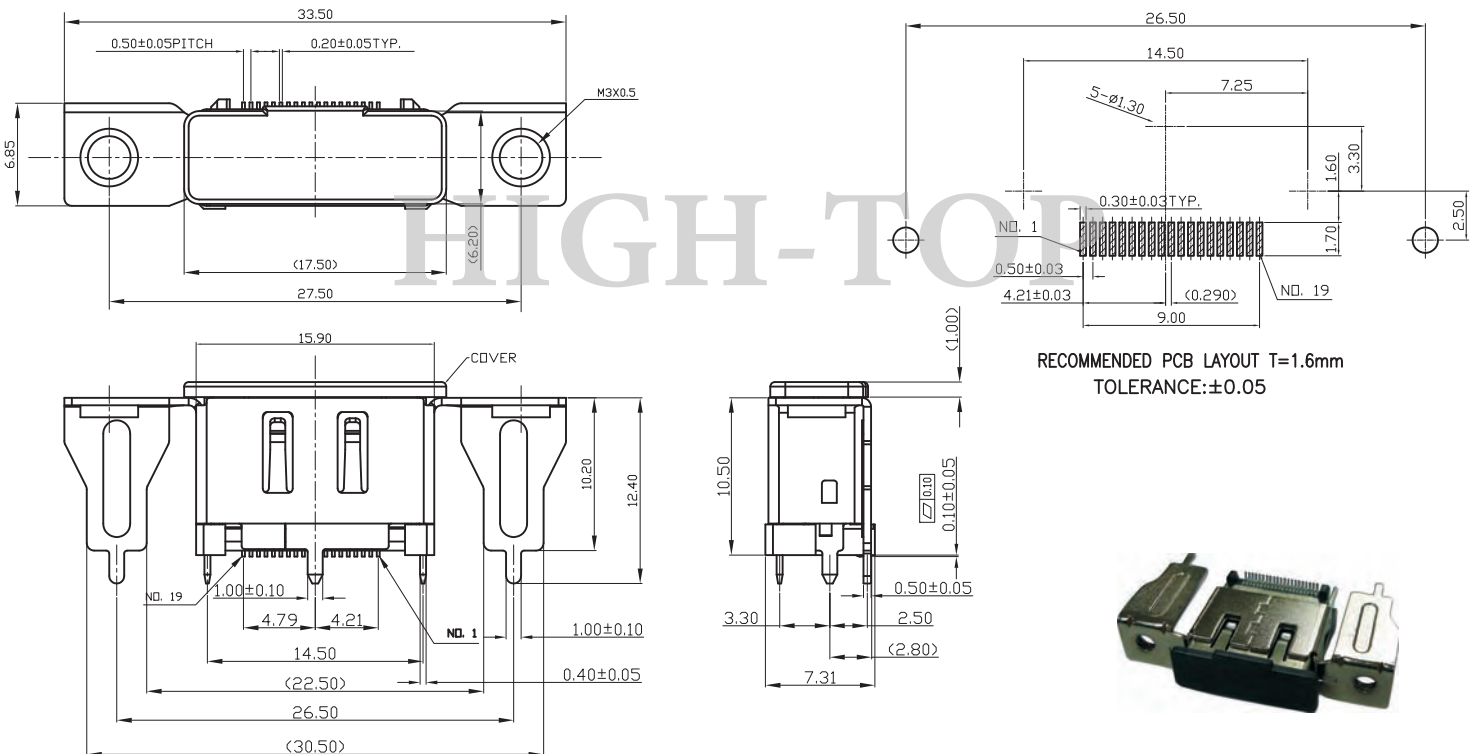
HDMI CONN., 19/F SMT TYPE 90° (W/FLANGE HOLE)

P/N: HD12SS19EE5



HDMI Conn., 19P/F SMT 180°, W/SIDE FLANGE

P/N: HD12SS19EE6

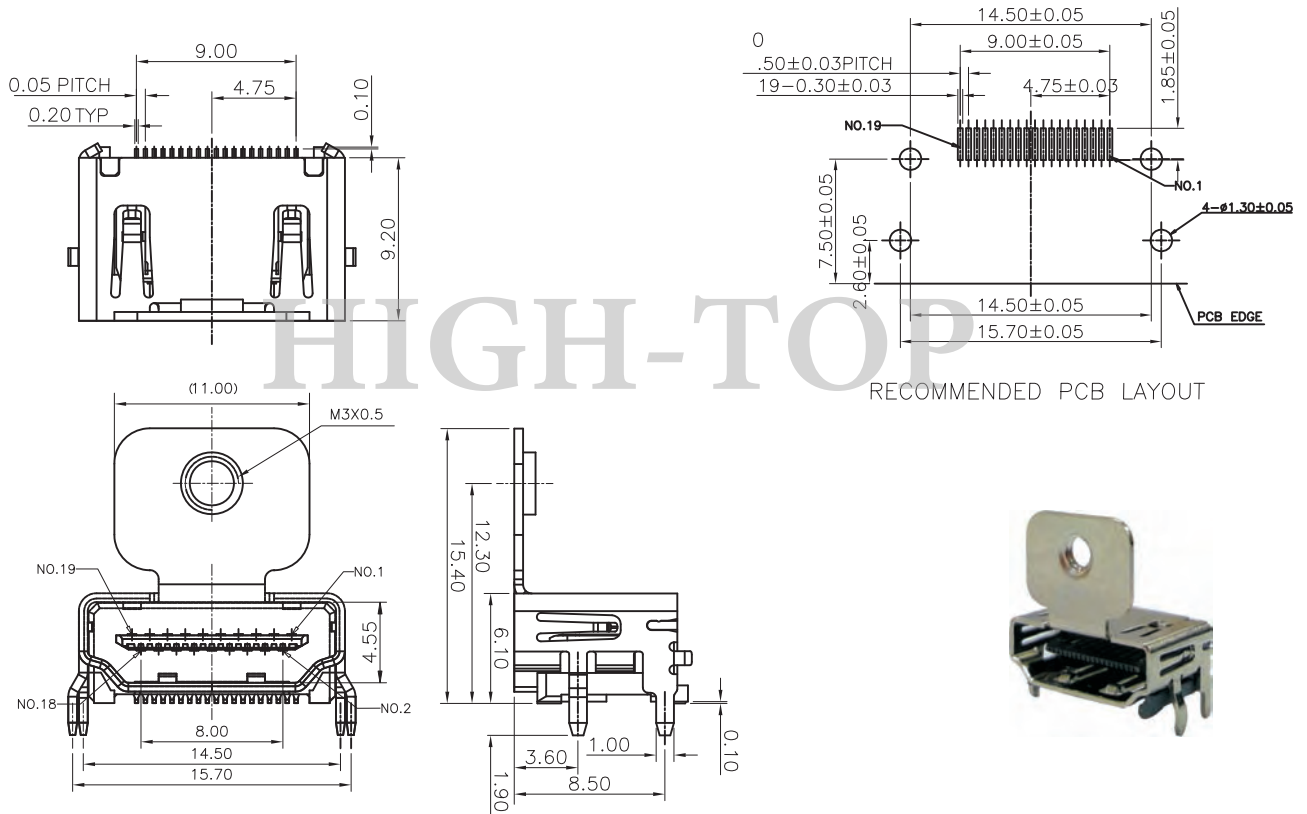




# HDMI Series

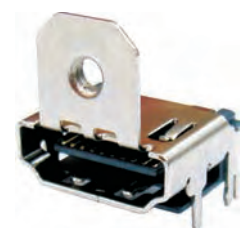
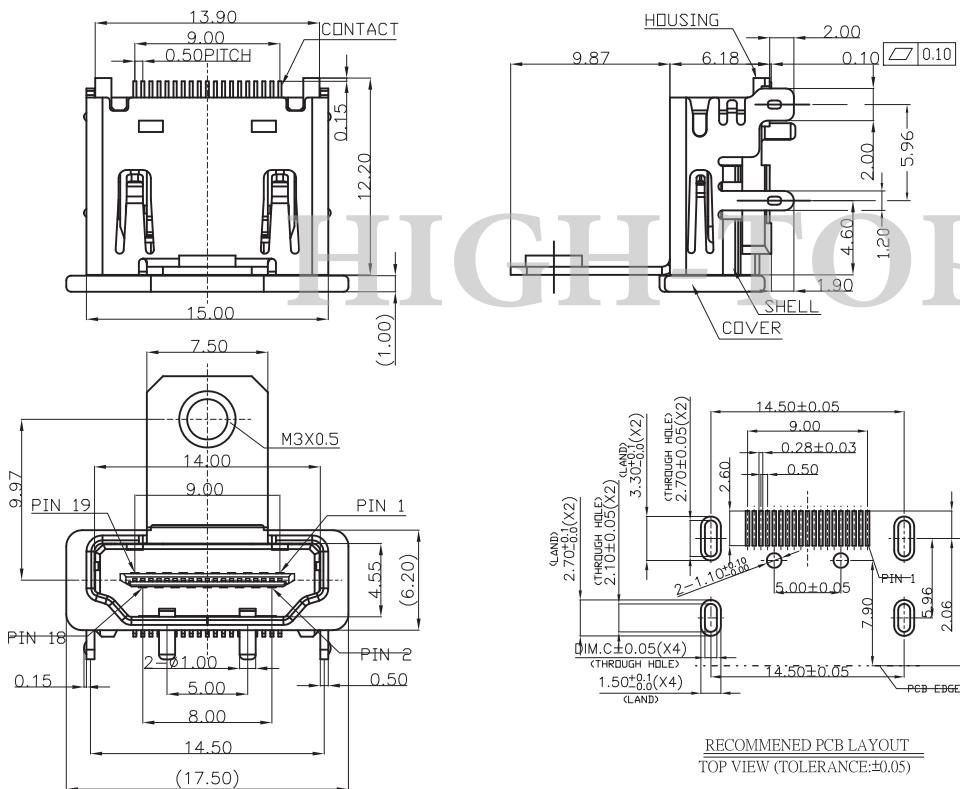
**HDMI CONN., 19/F SMT SLIM TYPE (HDMI-BSC)  
W/FLANGE, W/O PLASTIC COVER**

**P/N: HD12SS19EE7**



**HDMI Conn., 19P/F R/A SMT, W/POST**

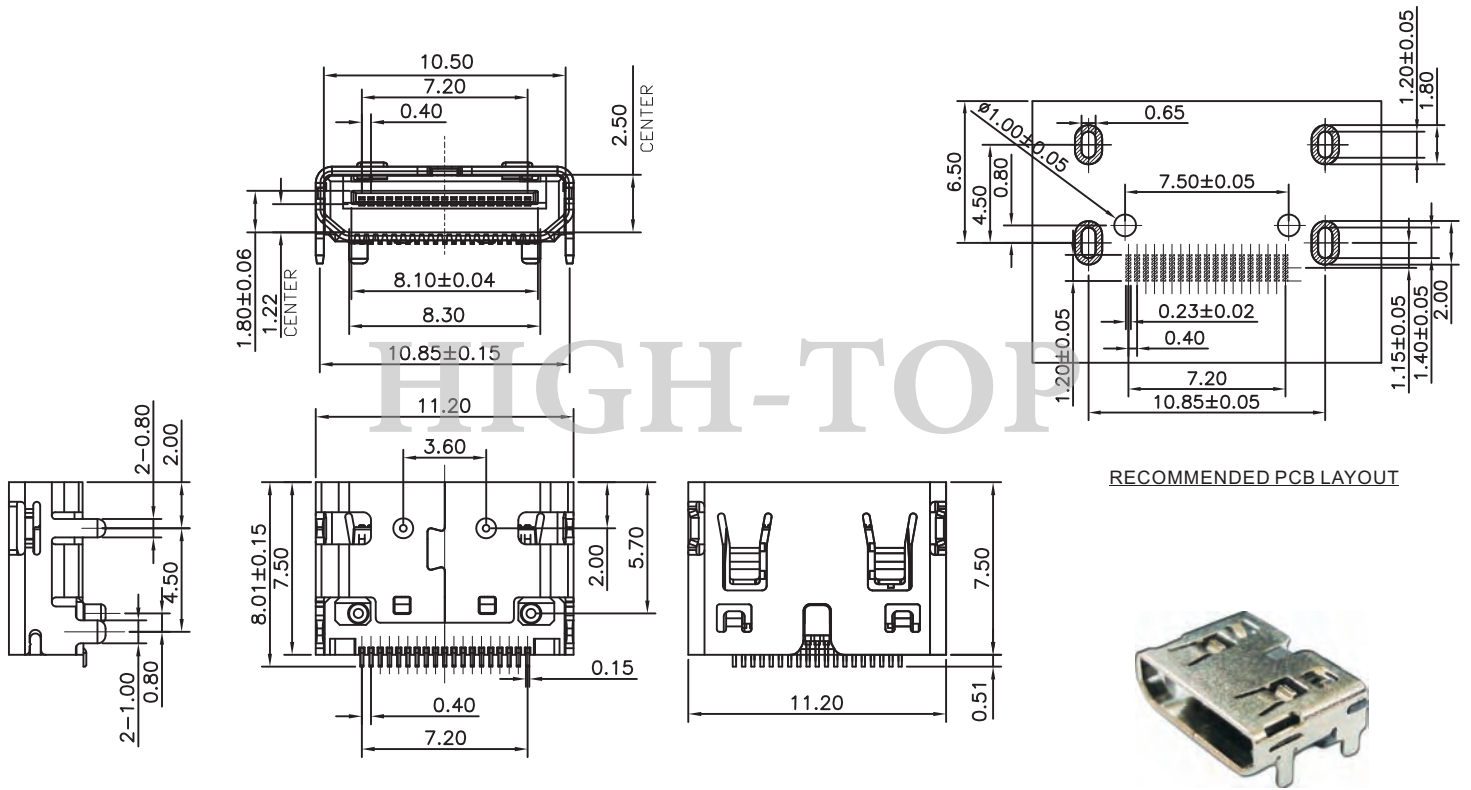
**P/N: HD12SS19EE9**



# HDMI Series

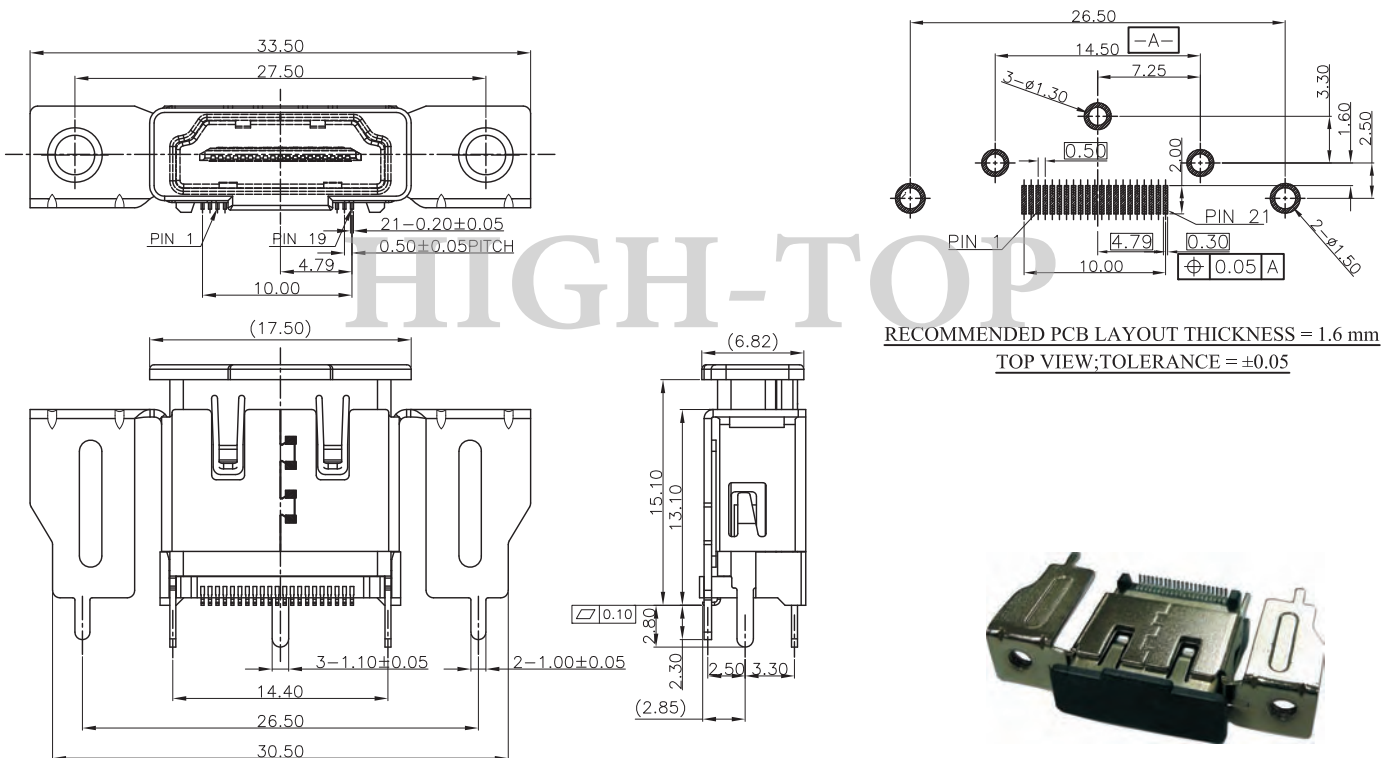
## MINI HDMI (BSF) CONN., C TYPE FEMALE

P/N:HD12SS19EGB



## HDMI CONN. (BSB-3) ,21/F VERTICAL/SMT TYPE W/SIDE FLANGE, SOLDER TAIL

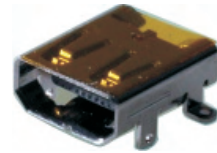
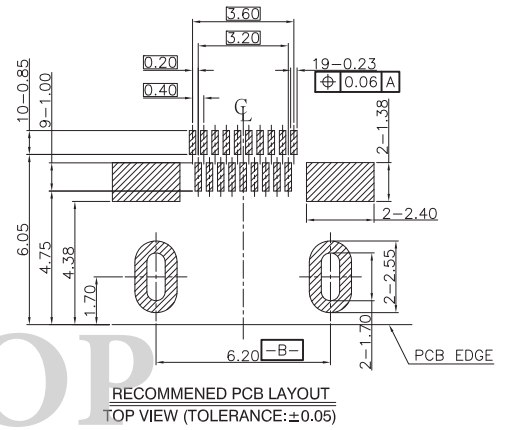
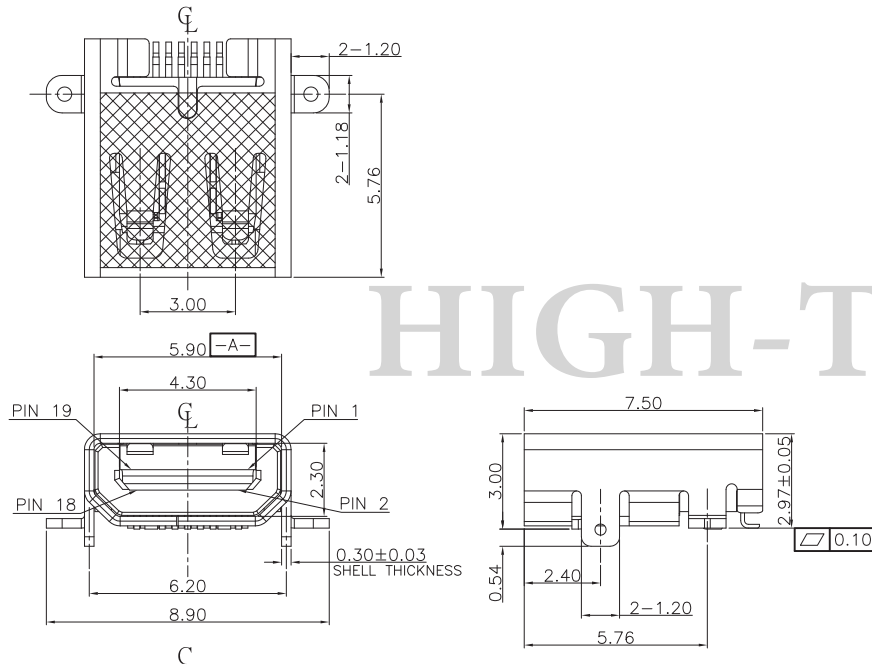
P/N:HD12SS19ECA



# HDMI Series

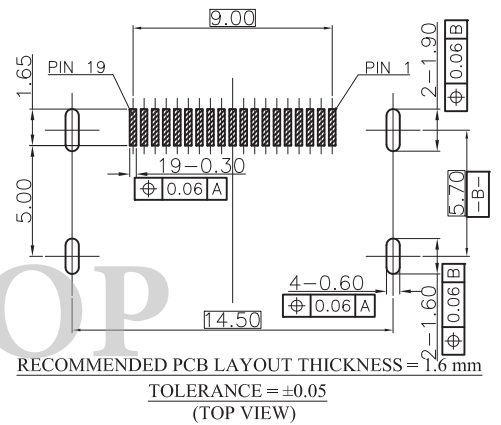
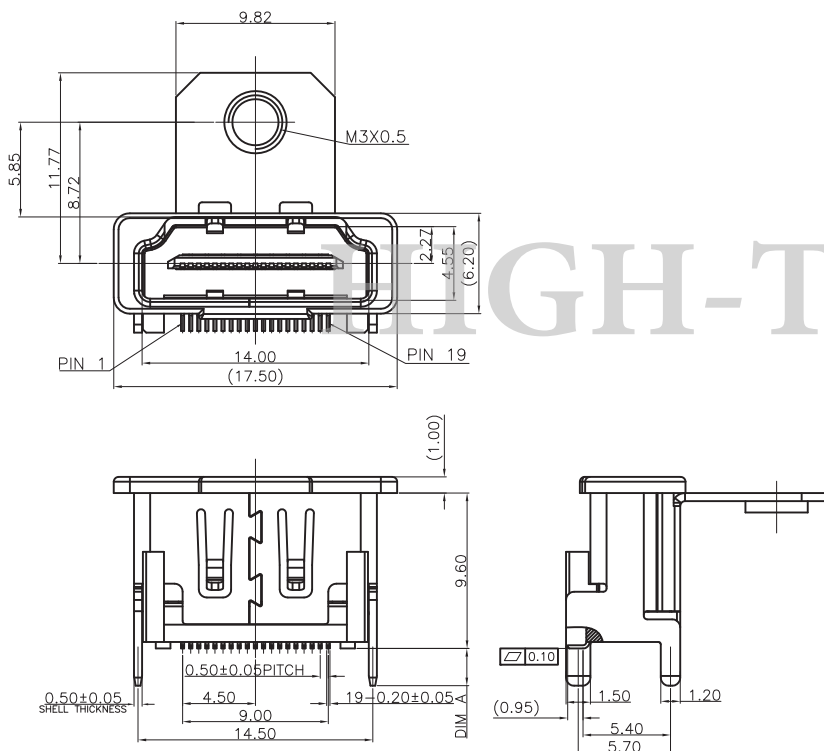
## Micro HDMI D Type 19P/F, SMT

P/N:HD12SS19EA9



## HDMI CONN. 19PIN FEMALE VERTICAL/SMT TYPE

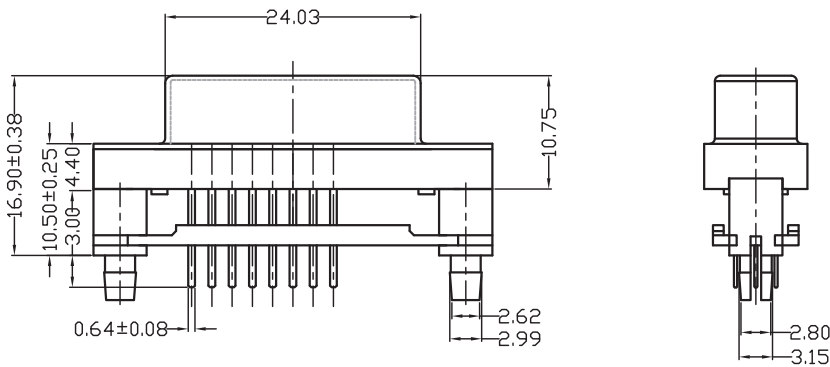
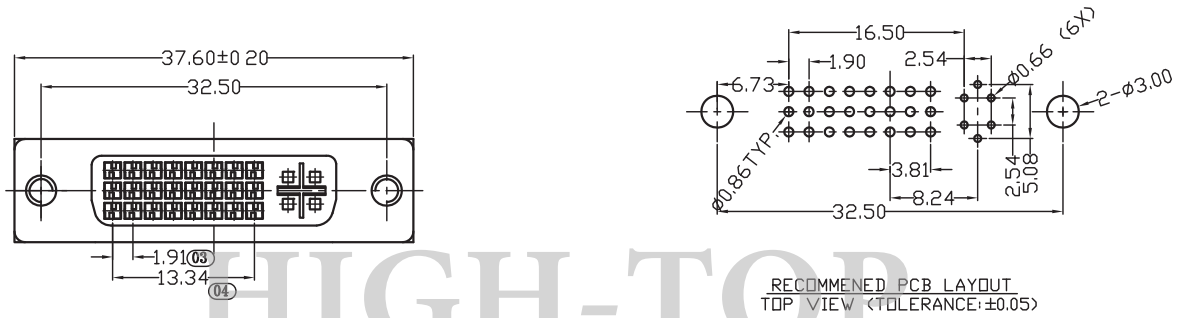
P/N:HD12SS19EEA



# I/O CONNETTOR

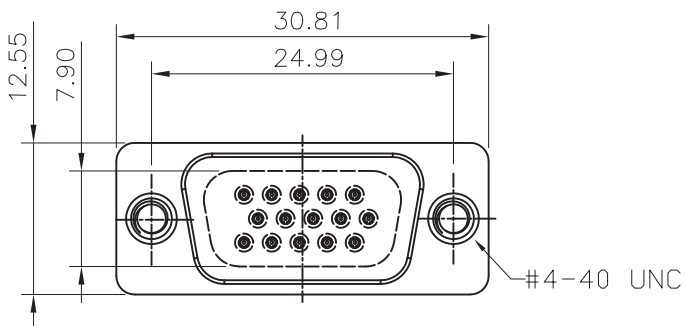
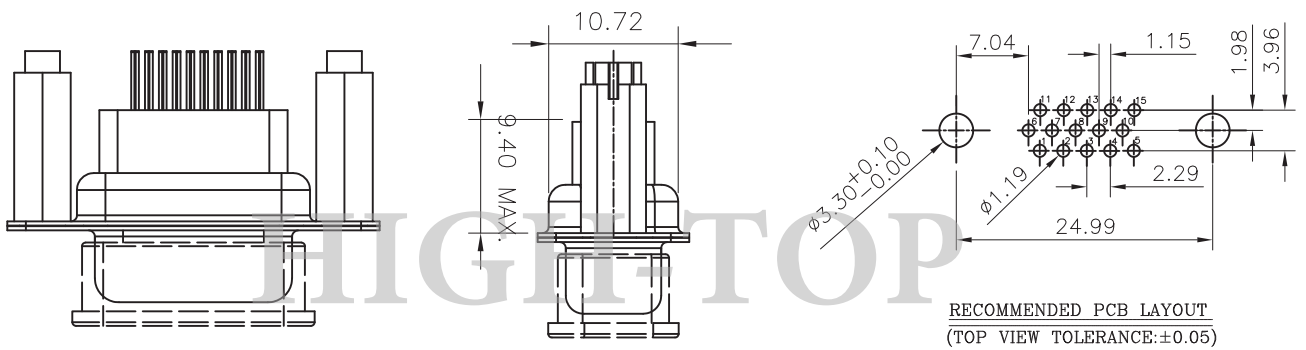
DVI 24+1P 180°

P/N:HD14DS24A12



HIGH DENSITY D-SUB CONN.,

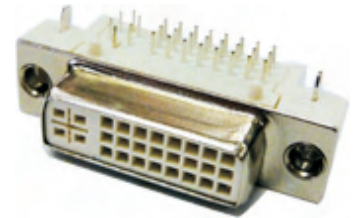
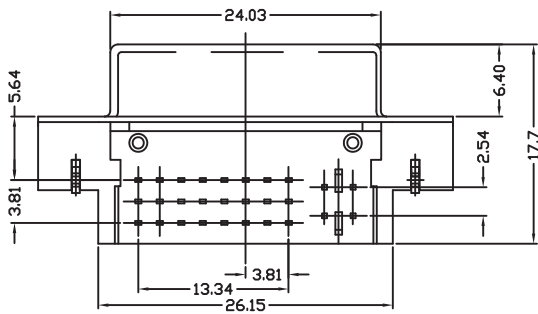
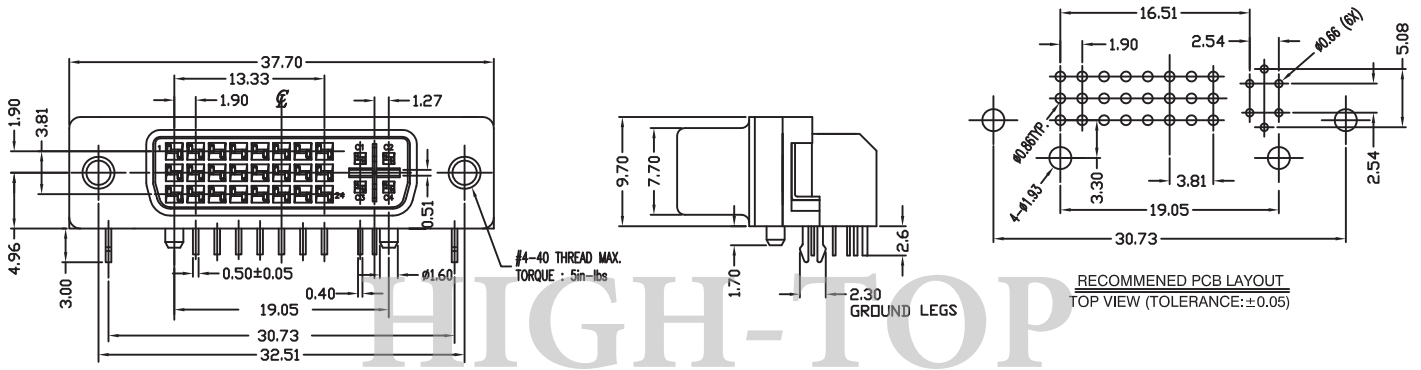
P/N:DB229S15A52



# I/O CONNETTOR

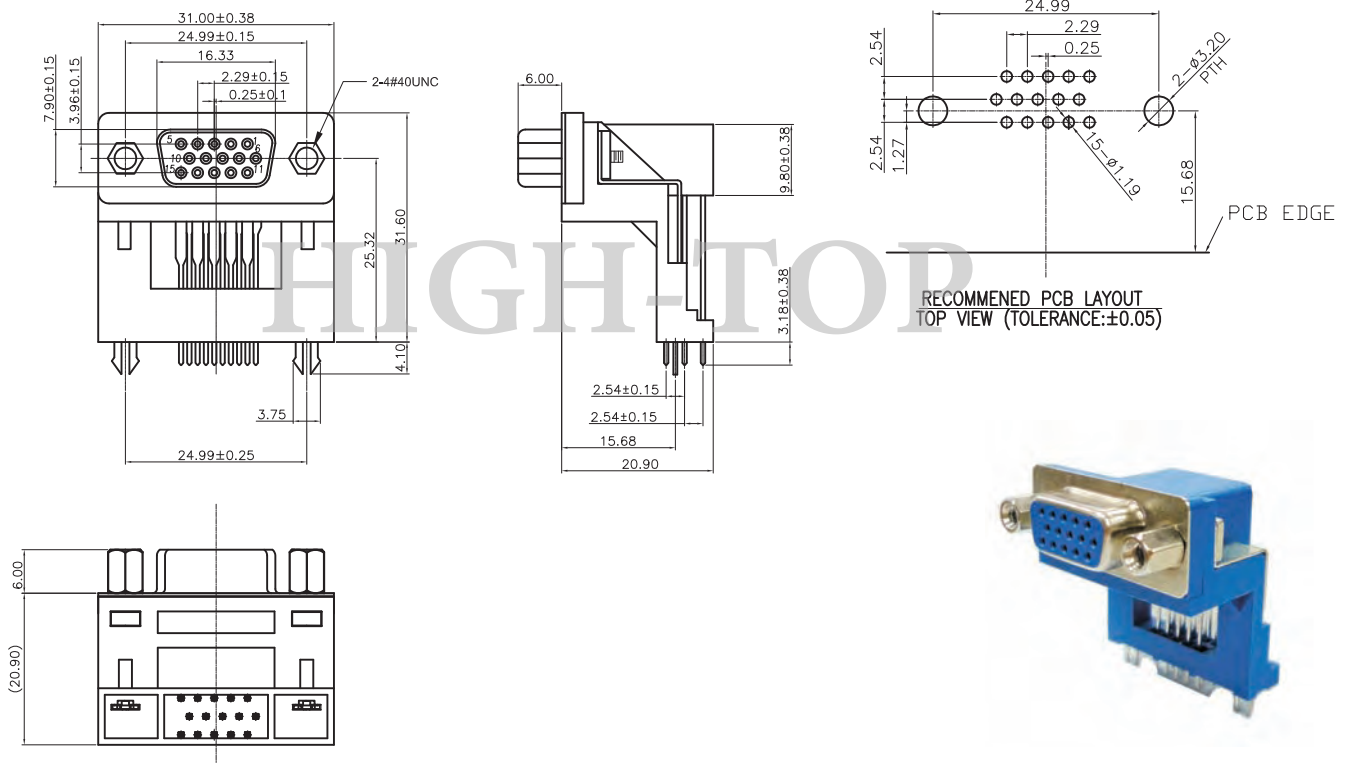
## DVI 24+5/F RIGHT ANGLE FEMALE CONN

P/N:HD14DS29AJ2



## HD 15P/F DIP 90 (HIGH RISE)

P/N:DB229S15AA2



## Headquarter

No.20, Alley 13, Lane 206, Longshou St., Taoyuan City,  
Taoyuan Country 330, Taiwan, R.O.C.

TEL : +886-3-369-2686

FAX : +886-3-370-6563

<http://www.high-top.com.tw>

E-mail : [info@high-top.com.tw](mailto:info@high-top.com.tw)

# HIGH-TOP

010010111010101110101  
10110101110101101000  
0111011100100110001

# HIGH-TOP



煜頂精密股份有限公司  
HIGHTOP PRECISION ELECTRONIC CO.,LTD.

 HIGH-TOP